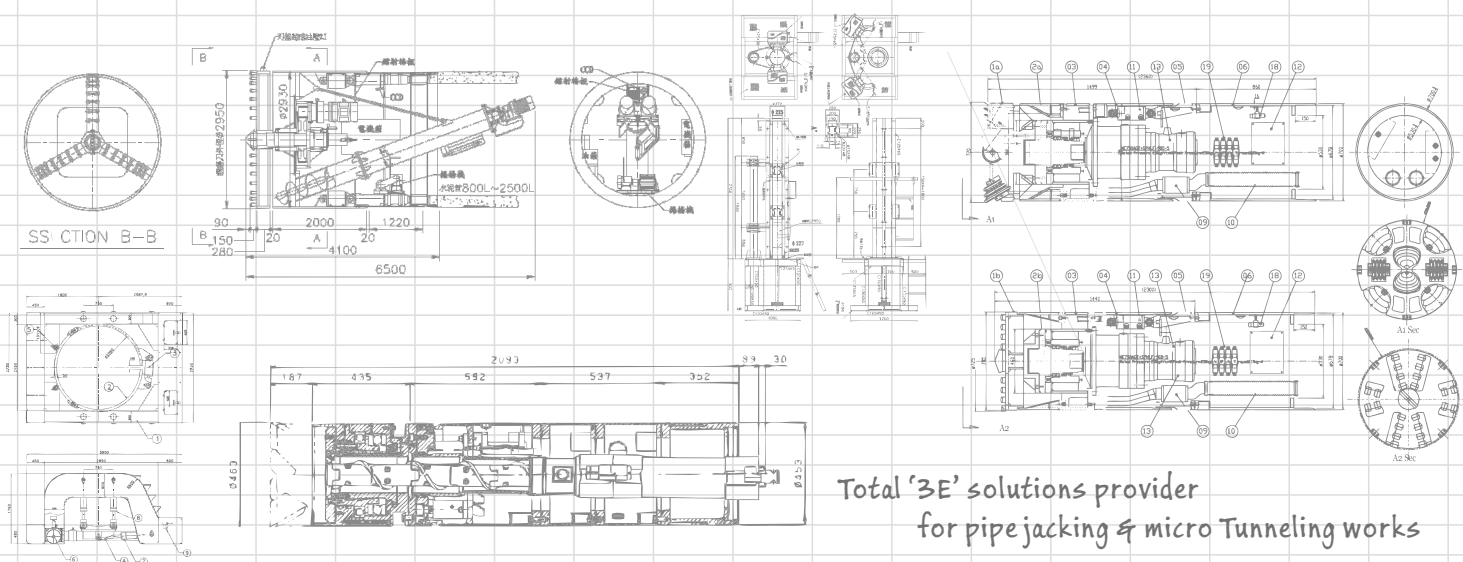


Hsioung Yi Industrial Co., LTD.
 雄義實業有限公司



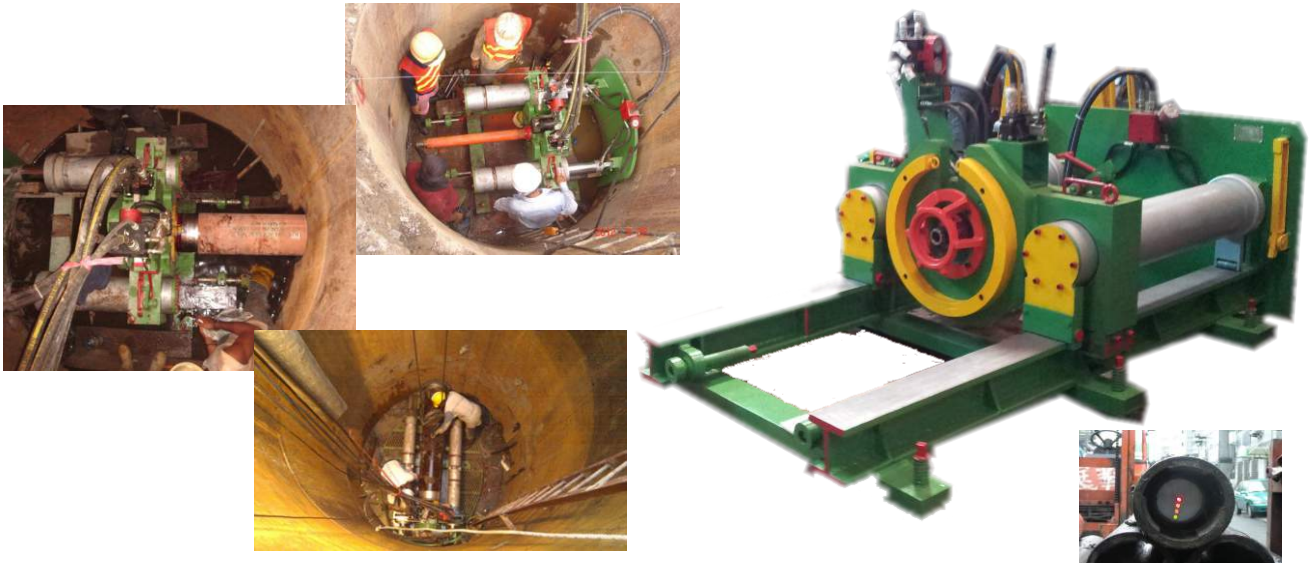
Total '3E' solutions provider
 for pipe jacking & micro Tunneling works

HY-PB Series

Pilot Tube Pipe Jacking System

先導管式二次推進設備

推進事業設備部
Pipe Jacking Machinery Department



Jacking Force	160 Ton ~ 500 Ton	Pipe Diameter	DN200 ~ DN800
Jacking Pipe Type	RCP,PVC,VCP	Power Input(V)	220,440(50,60hz)
N Value	N < 15(Soil,Sand)	Jacking Distance.	60M

所屬配件 Equipment



Soil-Out Press style Head
出土式機頭



Hydraulic Power Pack
液壓驅動設備



Water Injection System
水壓/滑材注入設備



Soil-Out Screw Set
出土螺旋管組



Gantry Crane
移動式門型吊車



Pilot Tube Set
先導管組



Pilot Arrow
先導管箭頭



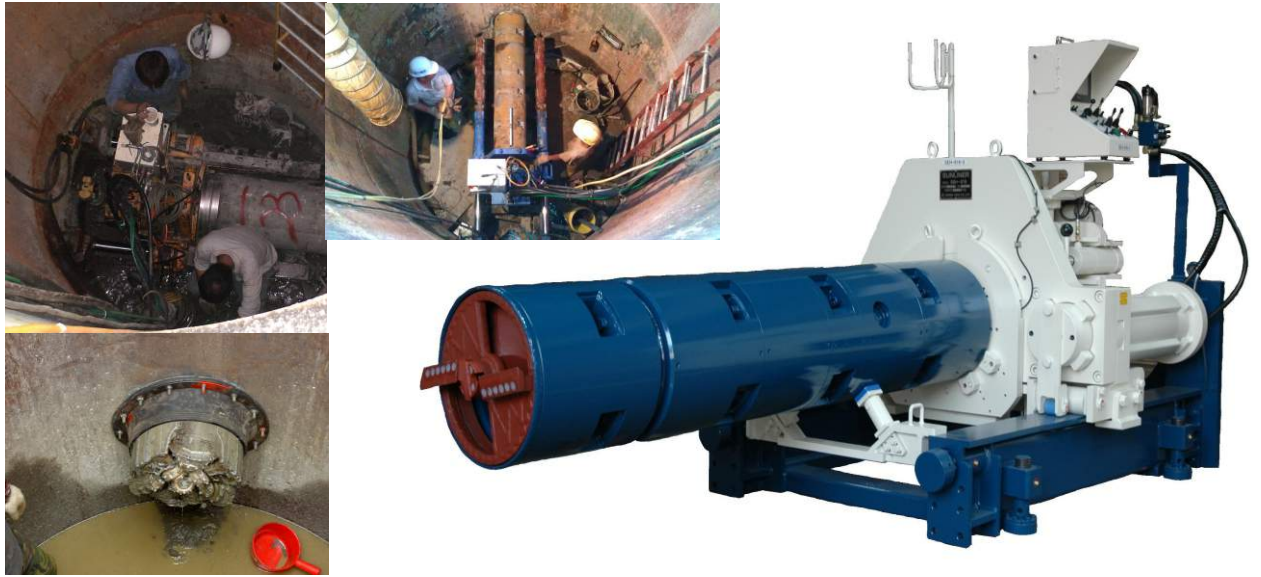
Remote Controller
無線控制器



CCTV Guidance System
視訊監看系統

HY-Sanwa Series Auger Pipe Jacking System

螺旋出土式推進設備



Jacking Force	80 Ton ~ 160 Ton	Pipe Diameter	DN200 ~ DN600
Jacking Pipe Type	RCP,PVC,VCP	Power Input(V)	220,440(50,60hz)
Earth Condition	Soil,Sand,Rock	Jacking Distance.	60M

所屬配件 Equipment



Water Injection System
水壓/滑材注入設備



Screw Casing Set
螺旋套管組



Control Panel
中央控制台



Hydraulic Power Pack
液壓驅動系統



Roller Cutter Face
岩盤掘削面盤



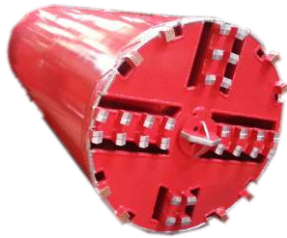
Position Sensor System
雷射導引系統

*HY-Sanwa Series is authorize by Sanwa Kizai Co.,LTD.
Manufacture in Taiwan , Design by Japan.

HY-SL(R) Series

泥水式推進設備

Slurry Pipe Jacking System



Jacking Force	300Ton ~1200Ton	Pipe Diameter	DN500 ~ DN1800
Jacking Pipe Type	RCP,PRCP,Steel	Power Input(V)	220,440(50,60hz)
Earth Condition	Soil,Sand,Rock _(SLR)	Jacking Distance	60M ~ 300M

所屬配件 Equipment



Slurry Pipe Set
排泥管組



Hydraulic Power Pack
液壓驅動設備



Slurry Pump
抽泥幫浦



Control Panel
中央控制台



Jacking Frame
推進機台

*HY-SLR is rock slurry pipe jacking system

HY-EPB Series Earth Pressure Balance Jacking System

土壓平衡式推進設備

推進事業設備部
Pipe Jacking Machinery Department



Jacking Force	300Ton ~1200Ton	Pipe Diameter	DN1000~DN3000
Jacking Pipe Type	RCP,PRCP,Steel	Power	220V~440V(50,60hz)
Earth Condition	Soil,Sand		

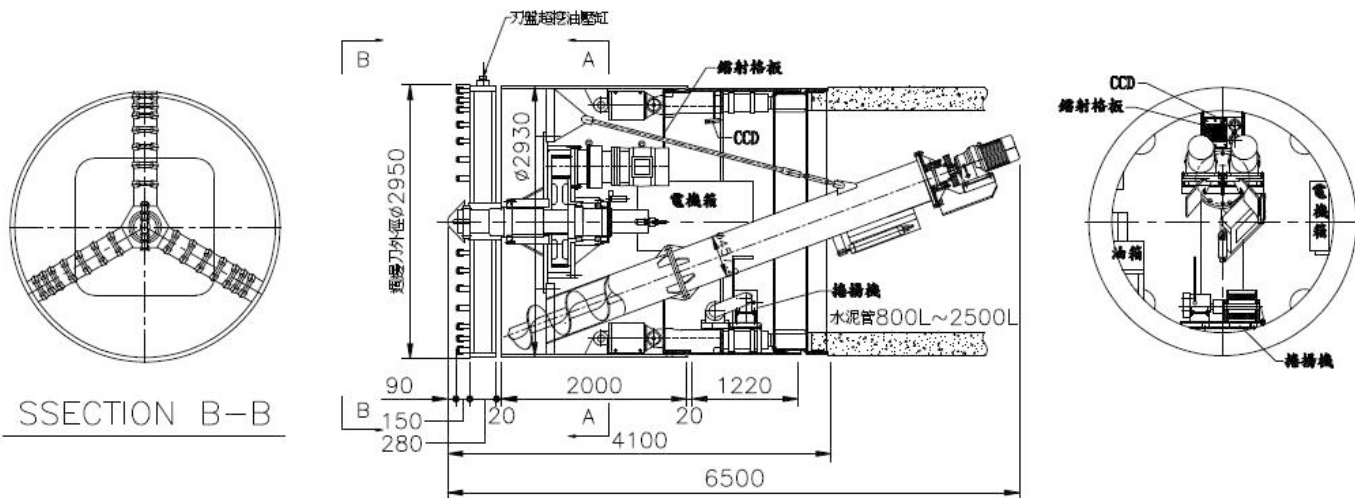


Hydraulic Power Pack
液壓驅動設備

所屬配件 Equipment



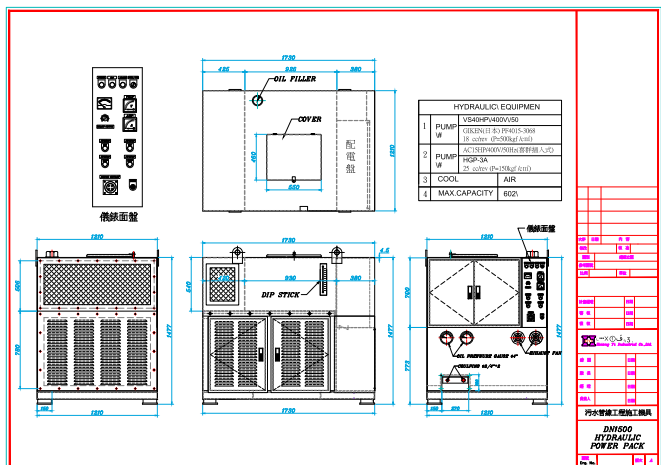
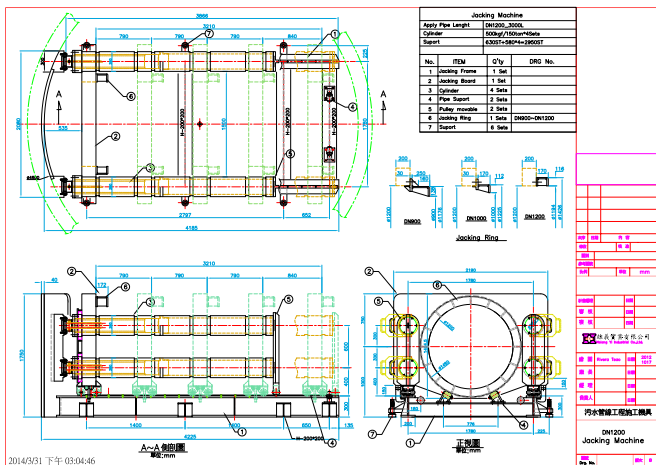
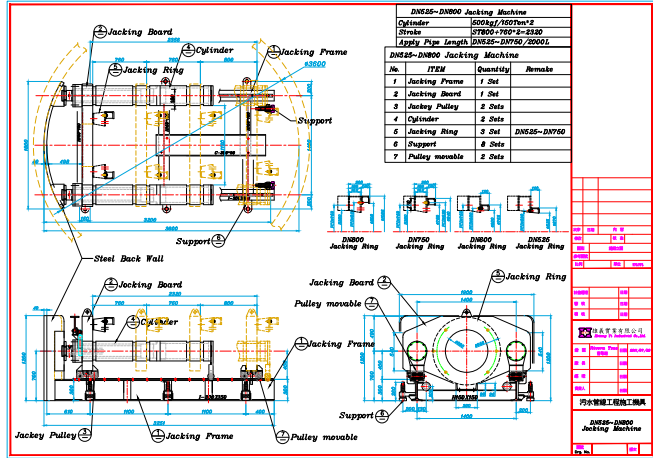
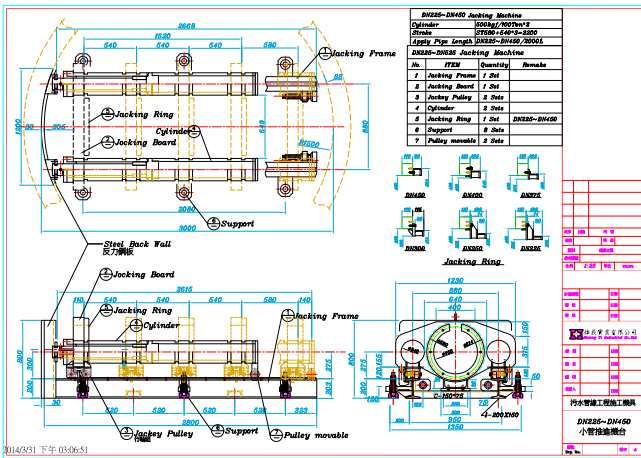
Control Panel
中央控制台



HY-JF Series Multi-Section Jacking Frame & Power Pack

推進台及油壓設備

推進事業設備部
Pipe Jacking Machinery Department



Hsioung-Yi Industrial Co.,LTD.

HY-OSC series Casing Oscillator / HY-JF series Jacking Frame arrangement suggestion

HY-JF Model#	Apply Pipe Diameter	HY-OSC MODEL#																							
		OSC-45		OSC-43		OSC-35		OSC-32		OSC-30		OSC-25		OSC-20											
Apply Pipe Length		1M	1.5M	2M	3M	1M	1.5M	2M	3M	1M	1.5M	2M	3M	1M	1.5M	2M	1M	1.5M	2M	1M	1.5M	2M			
HY-JF2540	DN225 ~ DN400	★	★	★	★	★	★	★	★	★	★	★	★	★	★	★	★	★	★	★	★	★	X	X	
HY-JF2545	DN225 ~ DN450	★	★	★	★	★	★	★	★	★	★	★	★	★	★	X	★	★	X	★	★	X	★	X	X
HY-JF3052	DN300 ~ DN525	★	★	★	★	★	★	★	★	★	★	★	X	★	★	X	★	★	X	★	X	X	X	X	X
HY-JF5080	DN500 ~ DN800	★	★	★	★	★	★	★	★	★	★	★	X	★	★	X	★	X	X	X	X	X	X	X	X
HY-JF90120	DN900 ~ DN1200	★	★	★	X	★	★	★	★	★	★	X	X	X	X	X	X	X	X	X	X	X	X	X	X
HY-JF135150	DN1350 ~ DN1500	★	★	★	X	★	★	★	X	★	★	X	X	X	X	X	X	X	X	X	X	X	X	X	X
HY-JF160180	DN1600 ~ DN1800	★	★	★	X	★	★	X	X	X	X	X	X	X	X	X	X	X	X	X	X	X	X	X	X

★ : Available
X : Not Available

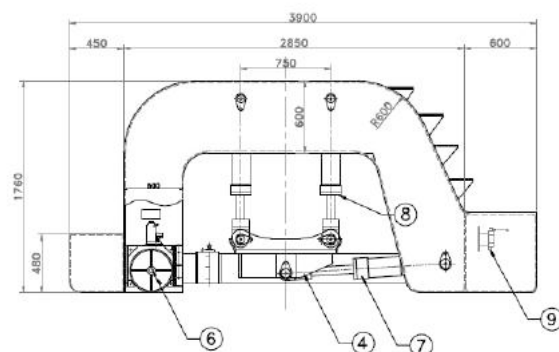
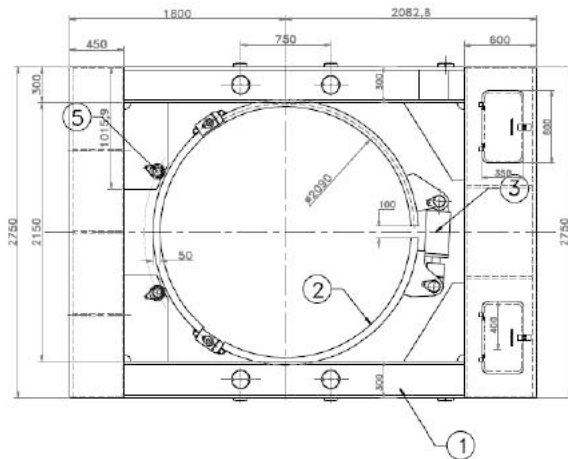
HY-OSC Series

搖管立坑設備

Casing Oscillator System



Output Force	90 Ton(Press)	Casing Diameter	Φ1500 ~ Φ3500
Clip Force	50 Ton	Swing Force	50 Ton X 2 set
Earth Condition	Soil,Sand	Depth	15 m



HY-GP Series

高壓注漿設備

Grout Plant System



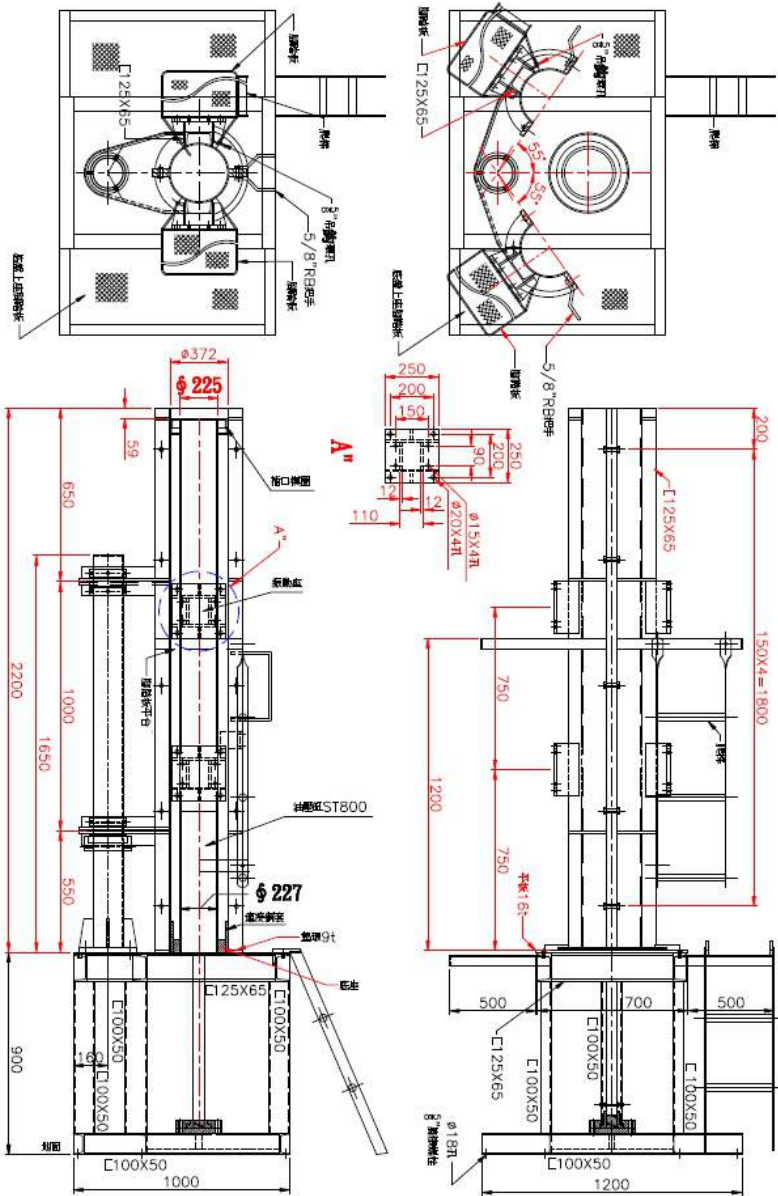
推進事業設備部
 Pipe Jacking Machinery Department

Specification		
Model Number	GP-S60250	GP-D60250
Main Grout Device		
Pump Style	Hydraulic Piston Style	Twin Hydraulic Piston Style
Stroke	300mm	300mm
Cylinder OD	Ø 85mm	Ø 85mm
Driving Motor	15HP	15HP
Output Pressure	0 - 60 kg/cm ²	0 - 60 kg/cm ²
Flow rate	0 - 60 L/min	0 - 60 L/min
Pressure Control	Manuel Valve	
Flow rate Control	Manuel Valve	
Material Mixer		
Agitator Type	Paddle stirrer	
Driving Motor	5 HP	
Capacity	250 Liter	
Slow Storage Tank		
Agitator type	Paddle stirrer	
Driving Motor	1 HP	
Capacity	1000 Liter	1000 Liter X 2
Electric		
Voltage	220V – 60HZ , 400V - 50HZ	

HY-VCM Series

液壓立式管模

Hydraulic Vertical Casting Mould



Suit to Pipe ID : DN200~DN600

HY-CJP Series

離心水泥管模

Centrifuge Method Concrete Mould



水泥人孔模

HY-CMH Series Manhole Mould

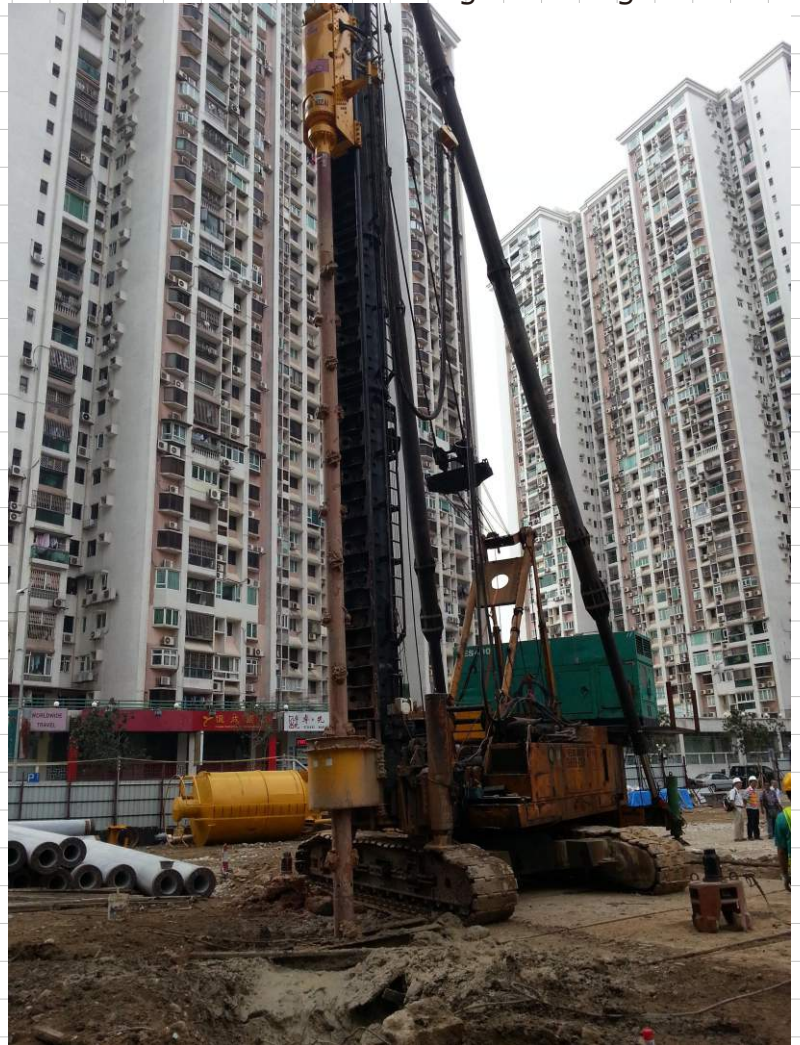


模具事業設備部
Concrete Mould Department

Sanwa Kizai SMD-150HP
Doughnut Auger Boring Machine



Sanwa Kizai D-120KP
K-series Auger Boring Machine



HiFB Method(Nippon Hume Corp.)

至誠務實


KNH CONSORTIUM

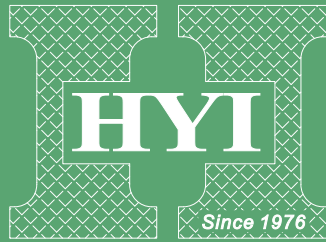
Kumpulan- Nishimatsu- Hock Seng Lee Consortium
成功完成古晉中央排污系統污水過濾站
以及地下管道的安裝工作。

我們深感榮幸能夠參與此重要工程，共同攜手為古晉市打造更清潔、美好的未來。

機械供應商：雄義實業有限公司(台灣) 同敬賀
施工廠商：捷順工程有限公司(古晉)

Kuching(Malaysia,Sarawak) waste water system Project
Malaysia Sin Chew Daily(2013.6.11)



Hsioung Yi Industrial Co.,LTD.

雄義實業有限公司

[Http://www.machineman.com.tw](http://www.machineman.com.tw)

TEL:+886-2-26945252

FAX:+886-2-26943271

Email:yachine@machineman.com.tw

No.2, Ln. 430, Fude 1st Rd., Xizhi Dist., New Taipei City 221, Taiwan (R.O.C.)



<https://www.facebook.com/HsioungYi>

Scan me!! Visit our fans book.



Malaysia 、 Brunei

KWL Marketing SDN.BHD.
Company NO:718420-D
Email : normanlim@kwmtg.com
TEL: (603)77836263 FAX:(603)77858245
27-1, Medan Hujan Rahmat, Taman OUG, 58200 Kuala Lumpur

Singapore

Yi Heng Engineering Services SDN.BHD.
Email : sales@yiheng.com.sg
TEL: (65) 6405 5604
25 Mandai Estate, #02-11 Innovation Place Tower 1,
Singapore 729930

Australia 、 New Zeland

Allied Industrial Co.,LTD.
Email : sales@alliedltd.com
TEL:(886)037692470

Indonesia

HYI Contact Person : Mr.Hayashi Haruki
Email : H.Haruki@machineman.com.tw
TEL:(62)819276677978